



# BAV19WS THRU BAV21WS

## Small-Signal Switching Diodes



### Features

- $V_R$  100V/150V/200V
- $I_{FAV}$  200mA

### Typical Applications

- Extreme fast switches

### Mechanical Data

- **Package:** SOD-323
- **Terminals:** Tin plated leads, solderable per J-STD-002 and JESD22-B102
- **Polarity:** Cathode line denotes the cathode end

	Marking
BAV19WS	A8
BAV20WS	T2
BAV21WS	T3

### ■ Maximum Ratings (Ta=25°C Unless otherwise specified)

PARAMETER	SYMBOL	UNIT	Conditions	VALUE
Repetitive peak reverse voltage	$V_{RRM}$	V		BAV19WS 120
				BAV20WS 200
				BAV21WS 250
Non-Repetitive Peak Forward Surge Current	$I_{FSM}$	A	t=1s t=1us	0.5 2.5
Average forward current	$I_{FAV}$	mA		200
Power dissipation	$P_{tot}$	mW		250
Thermal Resistance Junction to Ambient Air	$R_{\theta JA}$	°C/W		500
Maximum junction temperature	$T_j$	°C		-65 to +150
Storage temperature range	$T_{stg}$	°C		-65 to +150

### ■ Electrical Characteristics (Ta=25°C Unless otherwise specified)

PARAMETER	SYMBOL	UNIT	Conditions	VALUE
Maximum Forward voltage	$V_F$	V	$I_F=100mA$	1.0
			$I_F=200mA$	1.25
Maximum Reverse current	$I_R$	nA	BAV19WS $V_R=100V$	100
			BAV20WS $V_R=150V$	
			BAV21WS $V_R=200V$	
Minimum Breakdown voltage	$V_{(BR)}$	V	BAV19WS $I_R=10uA$	100
			BAV20WS $I_R=10uA$	150
			BAV21WS $I_R=10uA$	200
Maximum Diode capacitance	$C_D$	pF	$V_R=0V, f=1MHz$	5
Maximum Reverse recovery time	$t_{rr}$	ns	$I_F=I_R=30mA, R_L=100\Omega, I_{RR}=3mA$	50

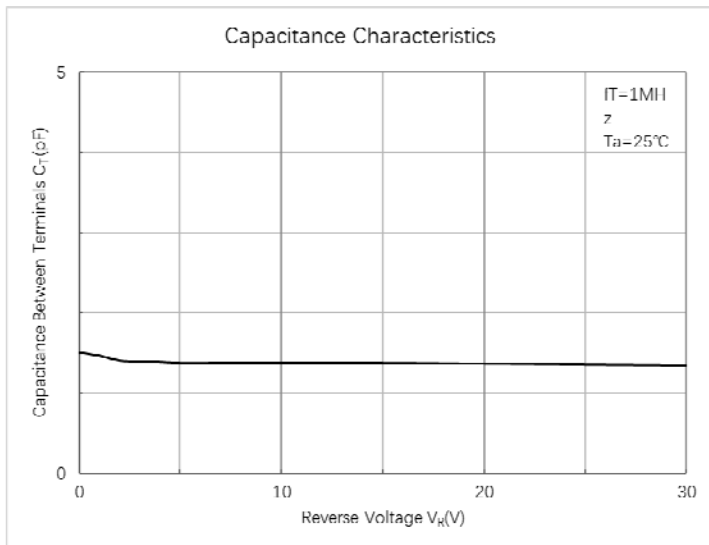
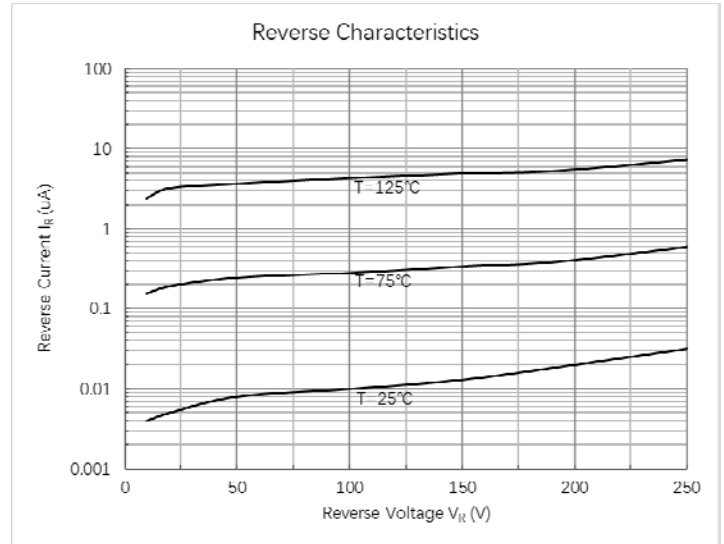
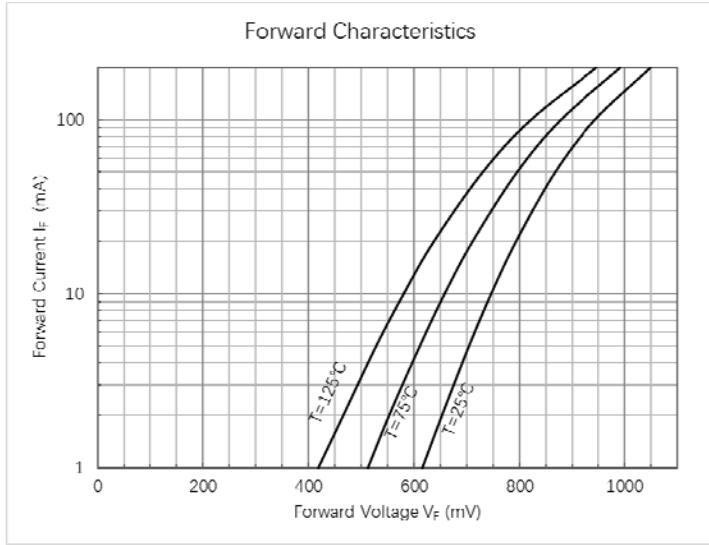


# BAV19WS THRU BAV21WS

## Ordering Information (Example)

PREFERED P/N	PACKING CODE	UNIT WEIGHT(g)	MINIMUM PACKAGE(pcs)	INNER BOX QUANTITY(pcs)	OUTER CARTON QUANTITY(pcs)	DELIVERY MODE
BAV19WS THRU BAV21WS	F2	Approximate 0.0048	3000	30000	120000	7" reel

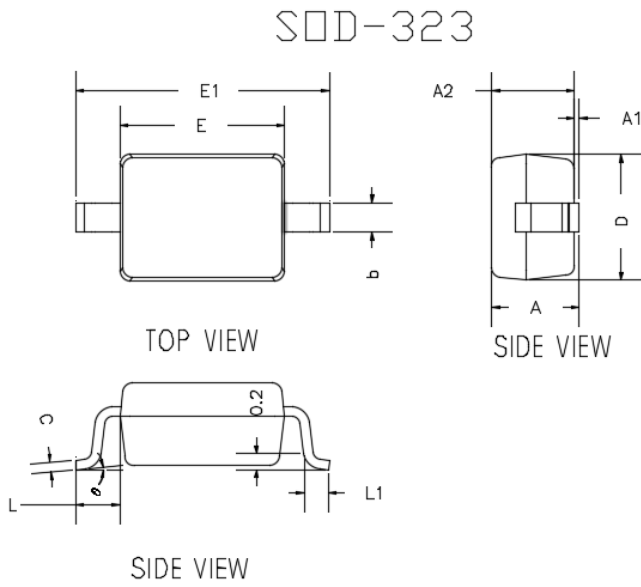
## Characteristics(Typical)





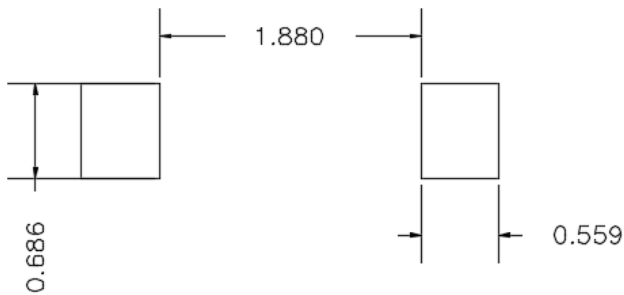
# BAV19WS THRU BAV21WS

## ■Outline Dimensions



DIMENSIONS				
DIM	INCHES		MM	
	MIN	MAX	MIN	MAX
A	---	0.0393	---	1.0000
A1	0.0000	0.0039	0.0000	0.1000
A2	0.0314	0.0354	0.8000	0.9000
b	0.0098	0.0157	0.2500	0.4000
c	0.0031	0.0059	0.0800	0.1500
D	0.0472	0.0551	1.2000	1.4000
E	0.0629	0.0709	1.6000	1.8000
E1	0.0984	0.1063	2.5000	2.7000
L	0.0187TYP		0.475TYP	
L1	0.0098	0.0157	0.250	0.400
θ	0°	8°	0°	8°

## ■Soldering Footprint



UNIT : mm

SUGGESTED SOLDER PAD LAYOUT



## BAV19WS THRU BAV21WS

---

### Disclaimer

The information presented in this document is for reference only. Yangzhou Yangjie Electronic Technology Co., Ltd. reserves the right to make changes without notice for the specification of the products displayed herein to improve reliability, function or design or otherwise.

The product listed herein is designed to be used with ordinary electronic equipment or devices, and not designed to be used with equipment or devices which require high level of reliability and the malfunction of which would directly endanger human life (such as medical instruments, transportation equipment, aerospace machinery, nuclear-reactor controllers, fuel controllers and other safety devices), Yangjie or anyone on its behalf, assumes no responsibility or liability for any damages resulting from such improper use of sale.

This publication supersedes & replaces all information previously supplied. For additional information, please visit our website [http:// www.21yangjie.com](http://www.21yangjie.com) , or consult your nearest Yangjie's sales office for further assistance.